

# WM-MICRO

COMPACT - FAST - EFFICIENT



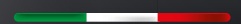
# WM MICRO

3-IN-1 WRAPPING MACHINE:  
WEIGH, PACK AND LABEL  
IN A SINGLE SOLUTION



# HELMAC

weighing food machines • retail data systems



# 16 Packets per minute in just 70cm<sup>2</sup>



SMALL SIZE



MECHANICAL KEYPAD  
WITH 19 BUTTONS



12" TOUCHSCREEN  
DISPLAY



OPTIONAL STAINLESS  
STEEL TROLLEY



PRINTER 3"  
150 mm / 300 dpi

The WM-MICRO semi-automatic wrapper weighs, packs and labels—increasing efficiency and improving product appearance all in a compact size. Compared to a manual 16 ppm station, the WM-MICRO is faster, uses less film and requires less space.

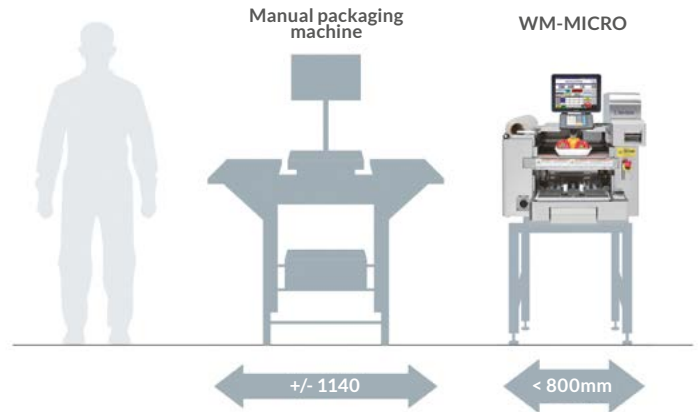
## Choose the **WM-MICRO** because it is:

# 1

### Compact

WM-MICRO is the semi-automatic wrapping machine with integrated scale and printer.

Its compact size makes it ideal for even the tightest of spaces.



# 2

### High-performing

WM-MICRO increases productivity with its state-of-the-art operating system, 150 mm/sec printer and 12' touch screen display. It is designed for wrapping various types of trays to support a wide variety of products. A **linerless labeller** version is also available.



# 3

### Efficient

The bright and rugged 12" display makes it easy to read and simple for operators to use, reducing repetitive tasks and increasing work performance.

With the WM-MICRO, remote assistance sessions can be performed quickly and easily.



# WM MICRO

3-IN-1 WRAPPING MACHINE:  
WEIGH, PACK AND LABEL  
IN A SINGLE SOLUTION

## WM-MICRO

### The new frontier for food packaging

#### SPECIFICATIONS

Capacity	Multi-interval: 0-6 kg x 2g / 6-15kg x 5g
Power supply	220-240 Vac, 50Hz
Consumption	In use: Max. 1200w Standby: 200w
Working temperature	+5°C...+40°C
Humidity	20-85%RH (non-condensing)

#### WRAPPING UNIT

Wrapping capacity	Up to 3.5 kg
Trays per minute	16/m
Packaging dimensions	Width: 150-350 mm Depth: 127-244 mm Height: 10-130 mm
Tray type	PSP, PP, PET, Paper
Film	1 reel 400mm, 450mm and 500mm

#### PRINTING UNIT

Printing head	3" direct thermal, 12 dots/mm
Printing speed	150 mm/sec
Roll dimensions	Label roll: Ø 125mm Inner roll: Ø 40mm
Linerless printer	Optional

#### CONTROL UNITS

Display	Backlit, 12", colour LCD
Tactile keys	19 keys

#### EXAMPLE OF A TICKET




**SLICED PORK LOIN**  
recommended for pan

Lot: 1  
Born in: ITALY  
Bred in: ITALY  
Slaughtered in: ITALY

To be consumed after cooking  
May contain traces of allergens: See ingredient book


Tare kg	Net price/kg	Price/kg	Prepared on
0,000	0,130	5,90	17/07/24 © 09

Store between 0 and +4°C



**PRICE**  
**0,77 €**

2 420002 000773



**THE FISH MARKET  
GILTHEAD**  
Sparus aurata  
FISHED IN MEDITERRANEAN SEA  
FAO AREA 37.1

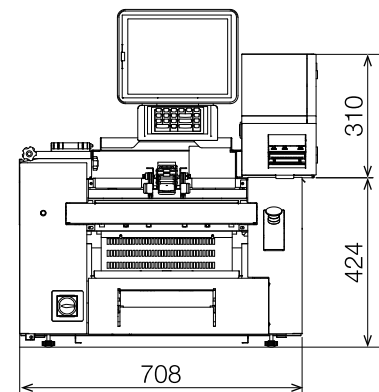
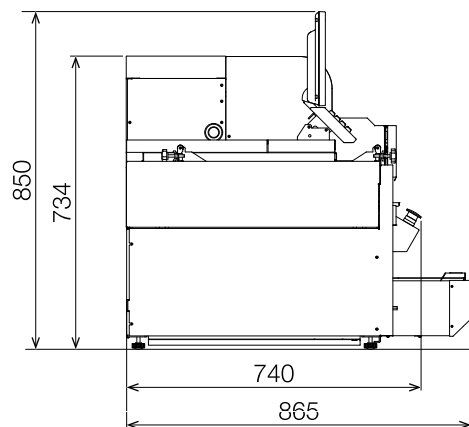
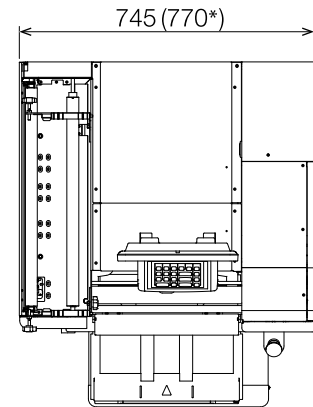
Lot: 23571121  
Prepared on: 28.11.2018    Consume by: 30.11.2018

Tare kg	Price € / kg	Net kg
0,006	4,56	1,000

Total price € **4,56**

Store between 0 and 4 °C

#### DIMENSIONS (mm)



\* Linerless version



HWMICRO-EN  
Rev. 01/07/2024